

NOTES:

1. UNLESS OTHERWISE SPECIFIED, TOLERANCES ARE $\pm .010$ " (.254mm).

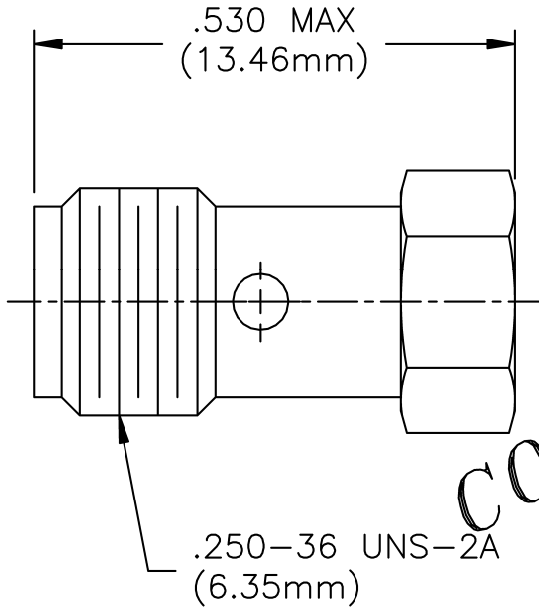
CAD#120105_2

DRAWING NO.

12-0105

REV.

N/C



INACTIVE
 CONVERT TO EMC ROD.
 REF. ECR F033-08

.250 HEX
(6.35mm)

MATERIAL:

BODY: CRES PER QQ-C-764
 CONTACT: BERYLLIUM COPPER PER QQ-C-530
 SUBSTRATE: ALUMINA

FINISH:

BODY: NICKEL
 CONTACT: GOLD PER MIL-G-45204

| | | | |
|------|-------------|-------|-------|
| | | | |
| | | | |
| | | | |
| | | | |
| | | | |
| N/C | RLSE#02432 | 07/98 | |
| REV. | DESCRIPTION | DATE | APPR. |

| | | |
|-----------------------------------|--|------------|
| <u>UNLESS OTHERWISE SPECIFIED</u> | | |
| 1. | DIMENSIONS ARE AFTER PLATING | |
| 2. | DIAMETERS ON COMMON ϕ TO BE CONCENTRIC WITHIN ____ T.I.R. | |
| 3. | SURFACE ROUGHNESS 63/ | |
| 4. | CORNERS AND EDGES .005 R. MAX | |
| 5. | REMOVE BURRS AND BREAK SHARP EDGES | |
| <u>TOLERANCES</u> | | |
| DECIMAL | FRACTION | ANGLES |
| .X \pm | | |
| .XX \pm | | \pm ____ |
| .XXX \pm | | |
| ALL DIMENSIONS ARE IN INCHES | | |

| | | | | | |
|-----------|------------------|-------|-------------|------|--|
| REFERENCE | | | - | | |
| MATERIAL | | | - | | |
| FINISH | | | - | | |
| SCALE | CAGE CODE ID NO. | SIZE | DRAWING NO. | REV. | |
| 4X | 2Y194 | A | 12-0105 | N/C | |
| APPR. | CHK | DRAWN | BLP | | |
| | | | 07/09/98 | | |

| | | | |
|-----------------------------|--|-----------------------------------|--|
| | | P.O. BOX 899 STUART, FL. 34995 | |
| TITLE | | | |
| TERMINATION, COAXIAL SMA | | | |
| DRAWING NO. | | REV. | |
| 12-0105 | | N/C | |
| DRAWN | | SHEET 1 OF 2 | |
| BLP | | | |
| 07/09/98 | | | |

CAD#120105_3

DRAWING NO.

12-0105

REV

N/C

| REQUIREMENTS | RATING | REQUIREMENTS | RATING |
|---|---------------------|----------------------|---|
| NOMINAL IMPEDANCE (OHMS) | 50 | VIBRATION | MIL-STD-202 METHOD 204 COND. D (20 G's) |
| FREQUENCY RANGE (GHz) | DC-18.0 | | |
| TEMPERATURE COEFFICIENT | 200 PPM | SHOCK | MIL-STD-202 METHOD 213 COND. I (100 G's) |
| OPERATING TEMPERATURE (°C) | -55 TO +125 | | |
| VSWR | 1.05 + .01f (f=GHz) | THERMAL SHOCK | MIL-STD-202 METHOD 107 COND. B (-65 TO +125 °C) |
| AVERAGE POWER (WATTS) | 0.5 | | |
| DC RESISTANCE | 50 OHMS ± 5% | BAROMETRIC PRESSURE | MIL-STD-202 METHOD 105 COND. C |
| | | | |
| | | INTERFACE DIMENSIONS | MIL-STD-348 SMA SERIES |
| | | | |
| <p>AVERAGE POWER DERATING</p> <p>% OF RATED PWR</p> <p>CASE TEMPERATURE IN °C</p> | | TORQUE REQUIREMENT | MIL-D-39030/3 SMA SERIES 7-10 IN/LBS (PER PAIR) |
| | | | |

TITLE TERMINATION,
COAXIAL SMA



P.O. BOX 899
STUART, FL. 34995

DRAWN BLP 07/09/98

SHEET 2 OF 2

DRAWING NO.

12-0105

REV

N/C