

TITLE: SPECIFICATION CONTROL DRAWING

PART IDENTIFIER: 11-250-T

DESCRIPTION: PILL TERMINATION

ASSEMBLY DWG: 1400164

1.0 SPECIFICATIONS

1.1 ELECTRICAL

- 1.1.1 IMPEDANCE: 50 OHMS NOMINAL.
- 1.1.2 FREQUENCY: DC-26.5 GHZ.
- 1.1.3 INPUT POWER (MAX @ 25°C): (DERATED LINEARLY TO ZERO POWER @ 150°C)
 - 1.1.3.1 AVERAGE: 1 WATT.
 - 1.1.3.2 PEAK: 100 WATTS FOR 100US PULSE WIDTH AND 0.1% DUTY CYCLE.
- 1.1.4 VSWR: 1.35 MAX.
- 1.1.5 SCHEMATIC: SEE SHEET 2, FIG. 2.

1.2 MECHANICAL:

- 1.2.1 OUTLINE DWG: SEE SHEET 2, FIGURE 1.
- 1.2.2 WORKMANSHIP: PER MIL-D-39030.

1.3 ENVIRONMENTAL:

- 1.3.1 TEMPERATURE RANGE:
 - 1.3.1.1 NON-OPERATING: -55°C TO +150°C.
 - 1.3.1.2 OPERATING -55°C TO +150°C.

2.0 UNIT MARKING: "11-250-T AND EMCT"
LEGIBILITY AND PERMANENCY PER MIL-STD-130.

3.0 QUALITY ASSURANCE:

- 3.1 PERFORM INSPECTION IN ACCORDANCE WITH QA0006 AND FORM0357 FOR COMMERCIAL GRADE PRODUCT.
- 3.2 TEST DATA REQUIREMENTS:
 - 3.2.1 NO TEST DATA REQUIRED FOR CUSTOMER.
 - 3.2.2 DATA RETENTION – 24 MONTHS.

4.0 PACKAGING: STANDARD PACK PER MC0023.

ENG		PUR		MFG		PLAN		SM	
CC				QA					
EMC TECHNOLOGY, INC 1971 OLD CUTHBERT ROAD CHERRY HILL, NJ 08034		CAGE CODE # 24602					DWG #	1004825000	
		CHANGE NOTICE		EN 01-401			REV LVL	C	
							SHEET	1 OF 2	

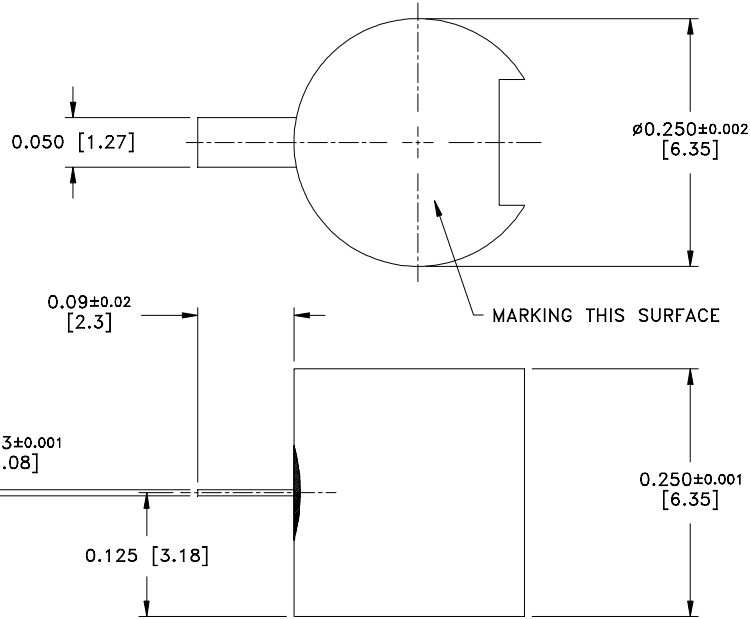
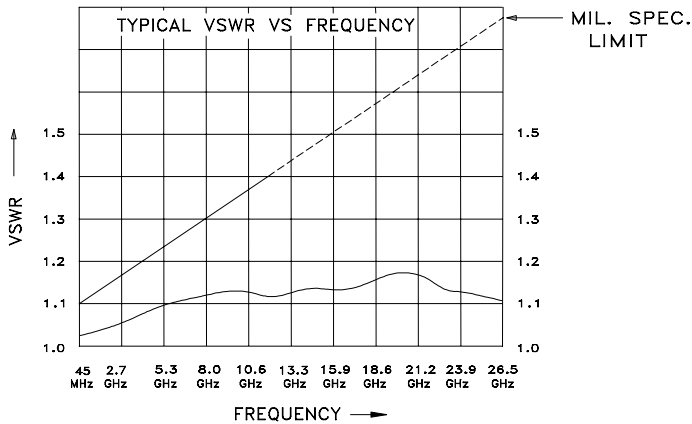


FIGURE 1

MECHANICAL SPECIFICATIONS:

- CASE:**
 MATERIAL - BRASS, ASTM B16.
 FINISH - GOLD, MIL-G-45204, TYPE II, CLASS 1.
- TAB:**
 MATERIAL - BERYLLIUM COPPER, ASTM B197.
 FINISH - GOLD, MIL-G-45204, TYPE II, CLASS 1.
- CERAMIC:**
 MATERIAL - ALUMINA, MIL-I-10.

METRIC EQUIVALENTS GIVEN IN [mm]
 FOR REFERENCE INFORMATION ONLY



NOTE: EFFECTS OF TEST FIXTURE REMOVED USING T.D.R. GATING TECHNIQUES.
 (MEASURED ON H.P. 8510 NETWORK ANALYZER)

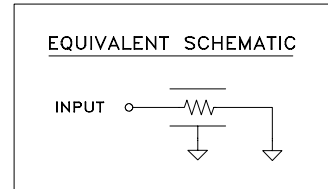
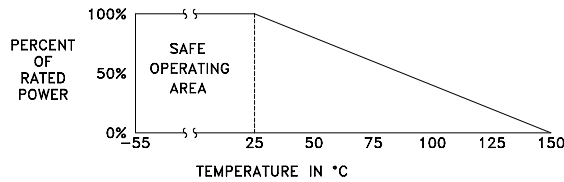


FIGURE 2

POWER RATING AND DERATING



EMC TECHNOLOGY INC
 1971 OLD CUTHBERT RD
 CHERRY HILL NJ 08034
 PHONE NO. (856) 429-7800
 FAX NO. (856) 429-1807

UNLESS OTHERWISE SPECIFIED DIMENSIONS ARE IN INCHES TOLERANCES
 FRACT ---
 ANG ---
 XX ---
 XXX ±0.005
 XXXX ---

THESE DRAWINGS AND SPECIFICATIONS ARE THE PROPERTY OF EMC TECHNOLOGY INC AND SHALL NOT BE DUPLICATED OR USED AS BASIS FOR THE MANUFACTURE OR SALE OF PARTS OR DEVICES WITHOUT PERMISSION.

CAGE CODE 24602	SCALE 1:1	DRAWN BY CME 08/30/2001	CHECKED BY	APPROVED BY DAR 9/4/01
REV C	CHANGE NOTICE EN 01-401	DRAWING NO 1004825000	SHEET 2 OF 2	